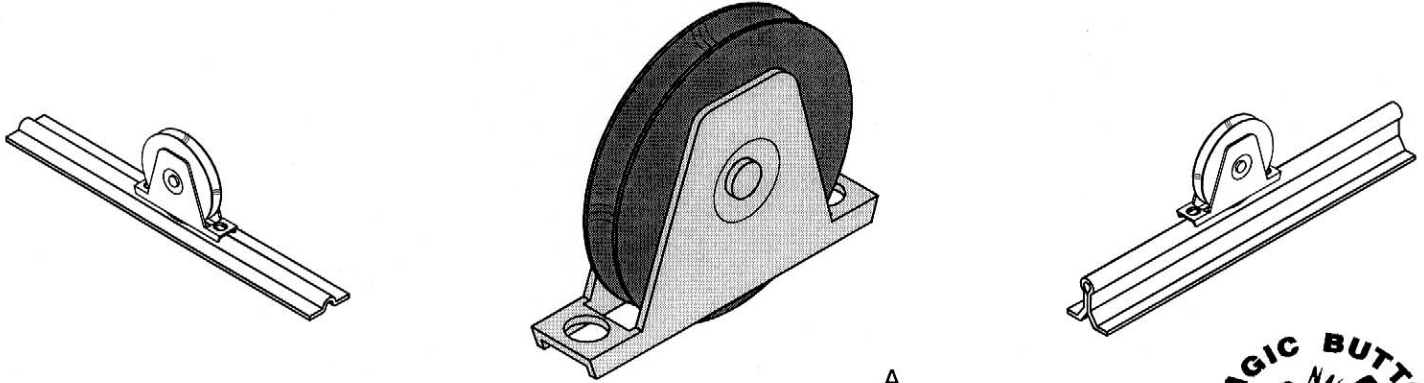




LIFTMASTER

SLIDING GATE HARDWARE



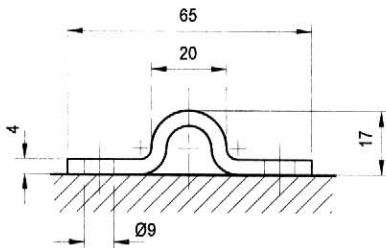
GATE TRACK

α ALPHA

Ω OMEGA

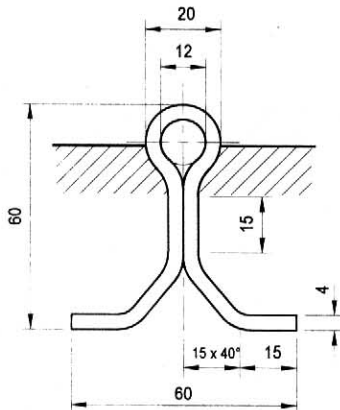
ADVANTAGES

- * EASIER AND QUICKER INSTALLATION
- * MANUFACTURING PHASE ELIMINATED
- * SCRAP AND WELDING ELIMINATED
- * EXCEPTIONALLY EASY SLIDING TO REDUCE FRICTION TO A MINIMUM
- * READY TO USE - ALREADY GALVANISED
- * WEIGHT - ALPHA = 2kg/m
- OMEGA = 4.6kg/m
- * LOW COST - HIGH QUALITY
- * 3 metre MODULAR LENGTHS



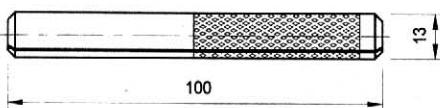
**300505
ALPHA**

ABOVE GROUND
SLIDING GATE TRACK

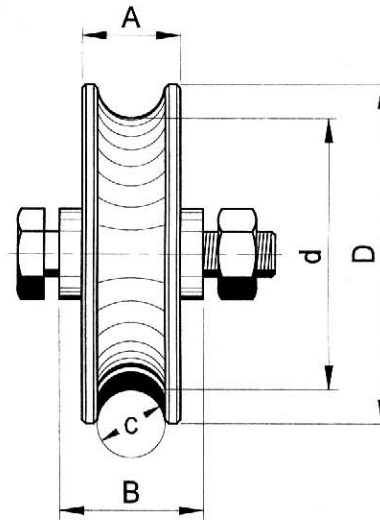


**300504
OMEGA**

IN-GROUND SLIDING
GATE TRACK

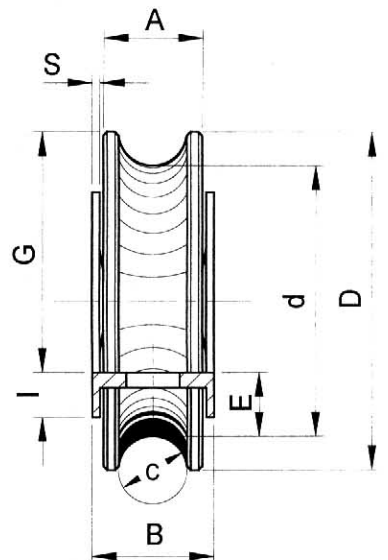


**300504
JOINER**



**"U" ROLLER
WITH AXLE**

**"U" ROLLER
WITH PSO
BRACKET**



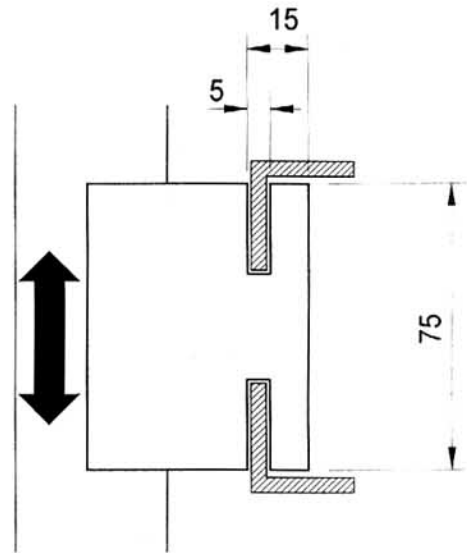
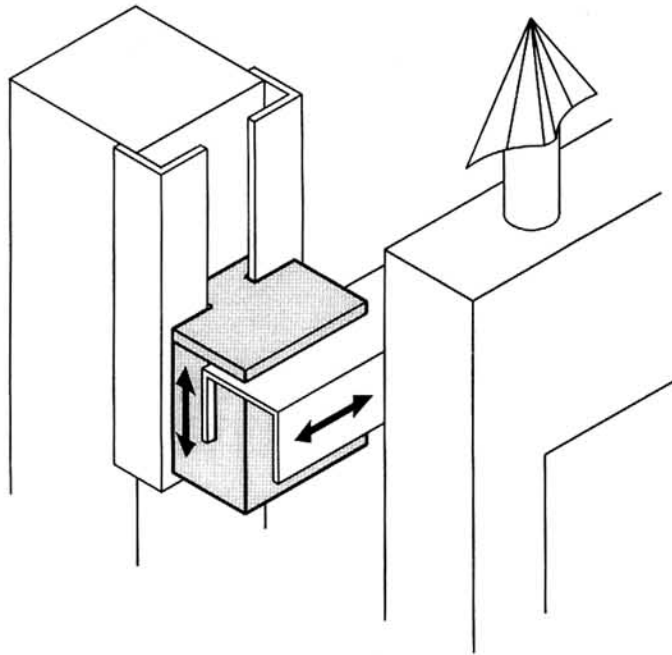
"U" BOTTOM TRACK ROLLERS

("V" track rollers available on request - non stock item)

TYPE	D	KG	A	B	C	G	I	E	S	d
300550	90	200	26	34	21	63	12	16	3	70
300551	120	300	30	44	21					100
1630PSO	160	400	30	44	21	125	22	24	4	140
300552	160	400	30	44	21					140
300553	200	500	30	44	21					180

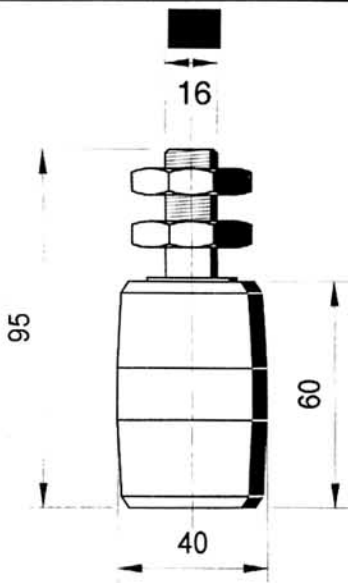
NYLON BLOCK GUIDE

For sliding gates on an incline
(angles & channels not included)

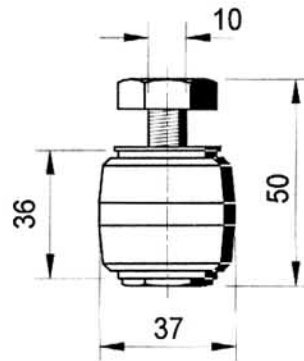


TOP VIEW

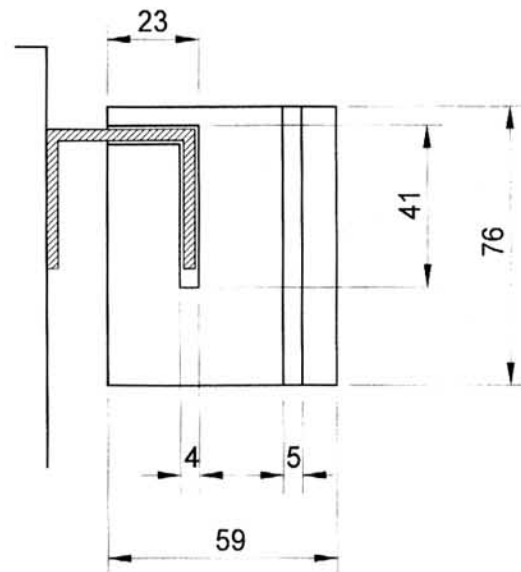
TOP ROLLERS



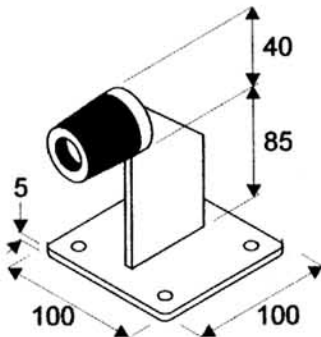
300558



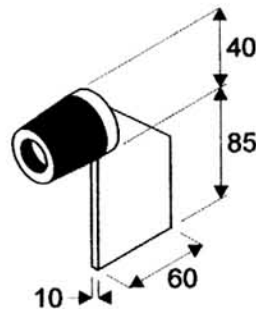
300557



SIDE VIEW



300508 Stop with rubber bumper
(Bolt down mount)



300507 Stop with rubber bumper
(weld mount)

ACCESSORIES

- ▶ Photo electric beams
- ▶ Vehicle Detectors
- ▶ Safety edge profile
- ▶ Emergency stop controls
- ▶ Flashing lights
- ▶ Traffic lights
- ▶ Radio & access control



LIFTMASTER ELECTRONICS PTY LTD ABN 58 000 266 035

PO BOX 54 Alexandria NSW Australia 1435

Phone: (61 2) 9699 9654 Fax: (61 2) 9699 8443

As Liftmaster Electronics policy is one of constant improvement, we reserve the right to alter any part of these specifications without notice and without incurring any obligation.