



LIFTMASTER

MAGIC BUTTON® (433MHz) RADIO CONTROL INSTRUCTIONS

The following instructions only apply to the MAGIC BUTTON® 6-pin and hardwire receivers. Before programming, remove all link bridges, and if using the hardwire receiver, set the operating voltage. Please note that these receivers can store a maximum of 340 transmitters.

1.) PROGRAMMING TRANSMITTERS INTO THE RECEIVER

To program transmitters into your receiver, either: press and hold the 'ADD' button on the receiver; or bridge pins 2 and 3 on the ICSP header (See FIG. 1). Rx/OK (Red LED) will come on signifying that the receiver is now ready to learn new transmitters.

Now press any button on the transmitter(s) to be programmed for approximately 2 seconds, noting that Rx/OK will flicker off then back on, to signal that the transmitter has been learnt.

If Rx/OK does NOT flicker off then the transmitter has: already been programmed successfully, there is no more available slots, or the remote is faulty.

2.) CLEARING TRANSMITTERS FROM THE RECEIVER

To delete all transmitters stored in the receiver, press and hold the 'CLEAR' button (See FIG. 1) for 3 seconds, Rx/OK will come on, signaling that the receivers memory has been cleared.

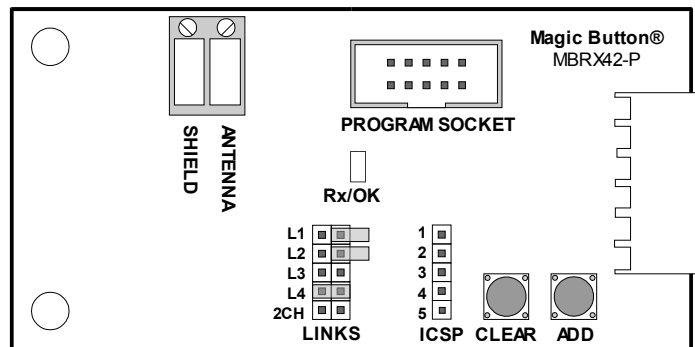
To delete an individual transmitter, you will need a MAGIC BUTTON® PROGRAMMER. Refer to the programmer instructions (See page 2 and 3): TO VIEW/ DELETE TRASMITTER INFORMATION ON A 340 CODE RECEIVER OR MEMORY CHIP .

3.) NOTES FOR 6-PIN RECEIVER

Once the transmitter has been programmed successfully, you are able to control which buttons are functional on the transmitter. This is done by using the black bridges on the link pins (See FIG. 1). L1 corresponds to button 1 on your transmitter, L2 to button 2, L3 to to button 3, and L4 to button 4. For example, if you want buttons 1 and 2 to be functional on your remote, then you have to bridge L1 and L2.

Pedestrian Mode for Double Swing Gates: Please note that this feature is only available on the Ik324, and Ik300 control boards. To set pedestrian mode, place a bridge across 2 links and 1 bridge across 2CH (See FIG. 1). The first link (E.g. L1) will operate both gates, and the second link will operate motor 2 only. Please note you can not activate both motors if pedestrian mode is active.

FIGURE. 1 (6-Pin Receiver shown)



4.) NOTES FOR DUAL CHANNEL RECEIVER

If you are only using one channel on the receiver, you must use the 'LEFT OUTPUT' contacts only. Once the transmitter has been programmed successfully, you need to configure which buttons will be functional on the transmitter. See Table 2 for hardwire configuration options.

Flip Flop: When the black bridge is across both FF pins (See FIG. 2.) on the receiver, a received signal will give a continuous pulse. By removing the bridge, the receiver will give a momentary pulse only.

FIGURE. 2 (Hardwire Receiver shown)

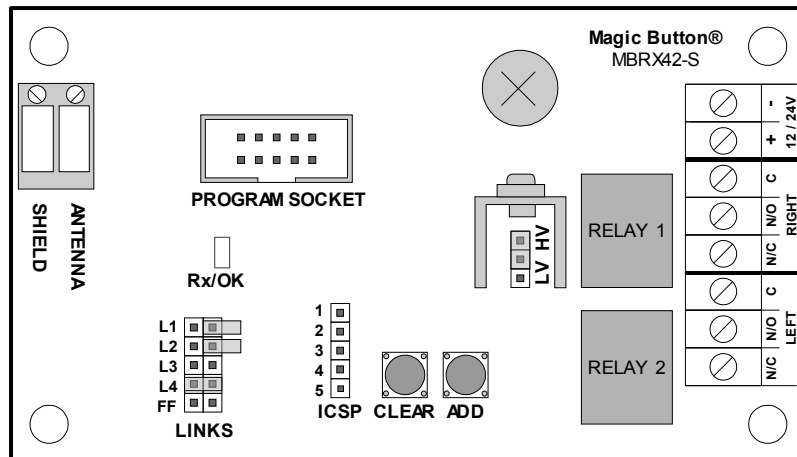


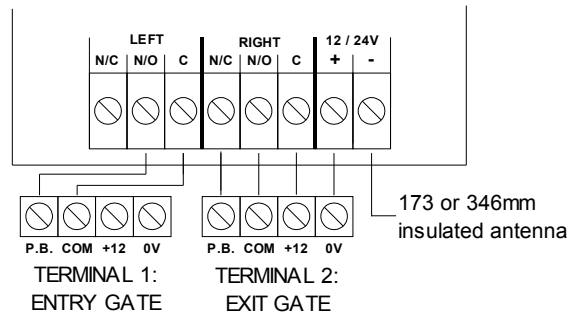
TABLE 2. Hardwire Configurations

LINKS				Button->Output
L1	L2	L3	L4	
OFF	OFF	OFF	OFF	B1-C1, B2-C2
ON	OFF	OFF	OFF	B1-C1
OFF	ON	OFF	OFF	B2-C1
ON	ON	OFF	OFF	B1-C1, B2-C1
OFF	OFF	ON	OFF	B3-C1, B4-C2
ON	OFF	ON	OFF	B3-C1
OFF	ON	ON	OFF	B4-C1
ON	ON	ON	OFF	B3-C1, B4-C1
OFF	OFF	OFF	ON	B1-C1, B3-C1, B2-C2, B4-C2
ON	OFF	OFF	ON	B1-C1, B3-C1
OFF	ON	OFF	ON	B2-C1, B4-C1
ON	ON	OFF	ON	B1-C1, B2-C1, B3-C1, B4-C1
OFF	OFF	ON	ON	B1-C1, B2-C1, B3-C2, B4-C2
ON	OFF	ON	ON	B1-C1, B2-C1
OFF	ON	ON	ON	B3-C1, B4-C1
ON	ON	ON	ON	B1-C1, B2-C1, B3-C1, B4-C1

B = Button, C = Channel

Antenna: An ideal antenna for this receiver is an insulated wire 173 or 346mm in length connected to the 'ANT' terminal receiver.

Hardwire Wiring Example

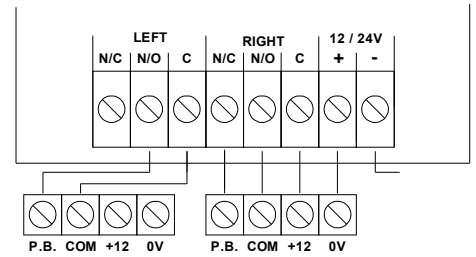
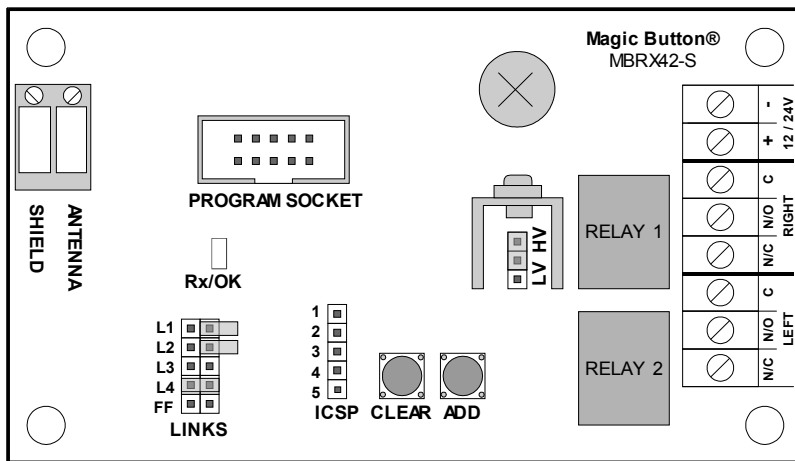
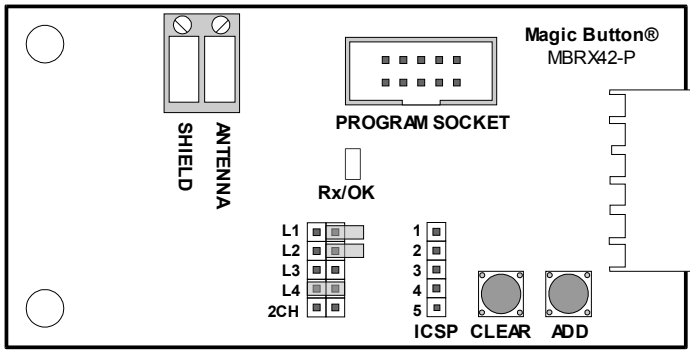


NOTES:

- 1.) Terminal connections on the operator may vary. You may need to consult with the operator's instruction manual for further assistance.
- 2.) Bridge com. with 0V on the receiver if the operator has only got 3 terminals.



DISTRIBUTED BY:



LINKS

Button->Output

L1	L2	L3	L4	Button->Output
OFF	OFF	OFF	OFF	B1-C2, B2-C2
ON	OFF	OFF	OFF	B1-C2
OFF	ON	OFF	OFF	B2-C2
ON	ON	OFF	OFF	B1-C2, B2-C1
OFF	OFF	ON	OFF	B3-C1, B4-C2
ON	OFF	ON	OFF	B3-C1
OFF	ON	ON	OFF	B4-C1
ON	ON	ON	OFF	B3-C1, B4-C2
OFF	OFF	OFF	ON	B1-C1, B3-C1, B2-C2, B4-C2
ON	OFF	OFF	ON	B1-C1, B3-C1
OFF	ON	OFF	ON	B2-C1, B4-C1
ON	ON	OFF	ON	B1-C1, B2-C1, B3-C1, B4-C1
OFF	OFF	ON	ON	B1-C1, B2-C1, B3-C2, B4-C2
ON	OFF	ON	ON	B1-C1, B2-C1
OFF	ON	ON	ON	B3-C1, B4-C1
ON	ON	ON	ON	B1-C1, B2-C1, B3-C1, B4-C1

LINKS

Button->Output

L1	L2	L3	L4	Button->Output
OFF	OFF	OFF	ON	B4
OFF	OFF	ON	ON	B3, B4
OFF	ON	ON	ON	B2, B3, B4
ON	ON	ON	ON	B1, B2, B3, B4

TABLE 1. 6-pin Configuration

LINKS				Button->Output
L1	L2	L3	L4	
OFF	OFF	OFF	ON	B4
OFF	OFF	ON	ON	B3, B4
OFF	ON	ON	ON	B2, B3, B4
ON	ON	ON	ON	B1, B2, B3, B4

B = Button

E.g. If you bridge link pins L1 and L2, 1 and 2 will be functional on your re